

AMS

Active Microwave Sensors



eP1

e-P1 | Portable instrument highly optimized for the use in pulp and paper production

INCREASING
QUALITY

1

IMPROVING
EFFICIENCY

2

MAXIMIZING
RUNNABILITY

3

Quality – Efficiency - Runnability

The e-P1 instruments allow measurement of the water content in every position of the fabrics, along the forming board section of the paper machine, thanks to its large measurement range and outstanding ergonomics.

With its small dimensions, light weight and Bluetooth™ wireless connection to the control app running on a portable device (like a smartphone or tablet), it makes the forming board survey easier and safer.

Unique patented technology

The AMS e-P1 uses a unique patented technology called Planar Active Microwave Sensor. This technology is based on a planar microwave resonator which allows this instrument to measure up to 48000 g/ m². The measurement is not affected by the type of fibers, color of paper, temperature, conductivity or vibrations.

Switching the sensor to “FFT” mode, the sample rate is increased to 1024 sample/sec and it is possible to extract relevant information about vibration and oscillation on the forming section.

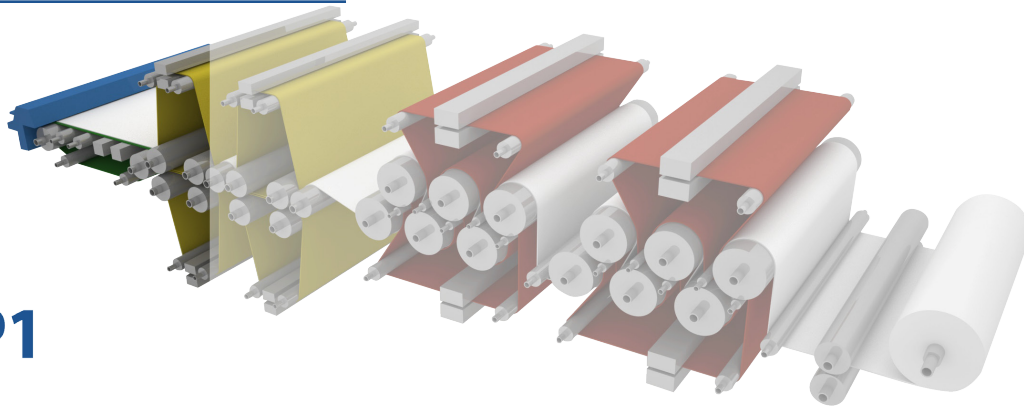


Main Features

- Wide measurement range from 0 to 48.000 g/m²
- Resolution 10 g/m²
- High repeatability and reliability
- High speed measurement rate up to 1024 Sample/s (in FFT mode)
- Silicon Nitride ceramic cover for long lasting performance
- Wireless Bluetooth™ connection
- Lithium battery pack
- Ease of use

FORMING BOARD

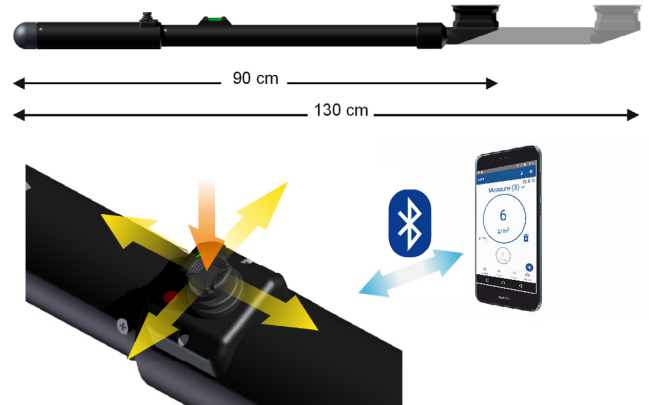
eP1



Flexible positioning

e-P1 is easily adjustable and can be used in all positions where measurements are to be carried out.

Once the measurement position is found on the paper machine, the user can (through the joystick on the instrument) control the smartphone's app features to perform the various measurements.

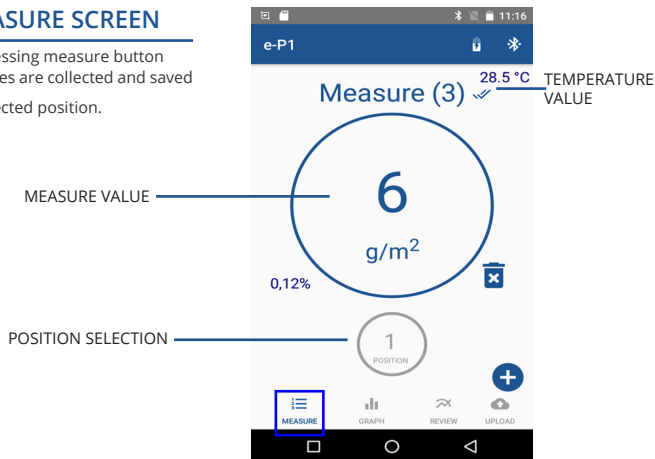


App Data analysis

- Create and manage customer and machine profile
- Store a survey by date into the selected profile
- Review and compare saved data
- Organize your measurements
- Export your measurements and send it by email
- Save and share measurements to your favorite cloud storage (i.e. Google Drive, Dropbox...)

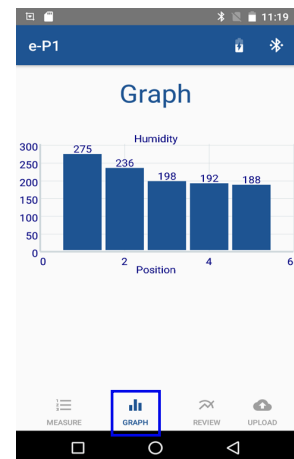
MEASURE SCREEN

By pressing measure button samples are collected and saved in selected position.



GRAPH SCREEN

View or compare all forming board positions values of a given machine



Technical specifications

Measurement specifications

Water content measurement range	g/m ² 0 to 48.000
Resolution	g/m ² 10
Sample rate	up to 1024 Sample/s (in FFT mode)

Environmental

Operating temperature	°C 10-80
Protection grade	IP 68

Mechanical Specification/R1 lab

Weight	Kg 2,2
Dimension (sensor head)	cm 8 X cm 2,4
Length	90 - 130 cm

Accessories



HAND STRAP for Smartphone